

GDB Server for Soclib

Alexandre Becoulet
alexandre.becoulet@lip6.fr

December 11, 2007



Table of Contents

| | |
|----------------------|---|
| Features | 2 |
| Soclib platform..... | 4 |

Features

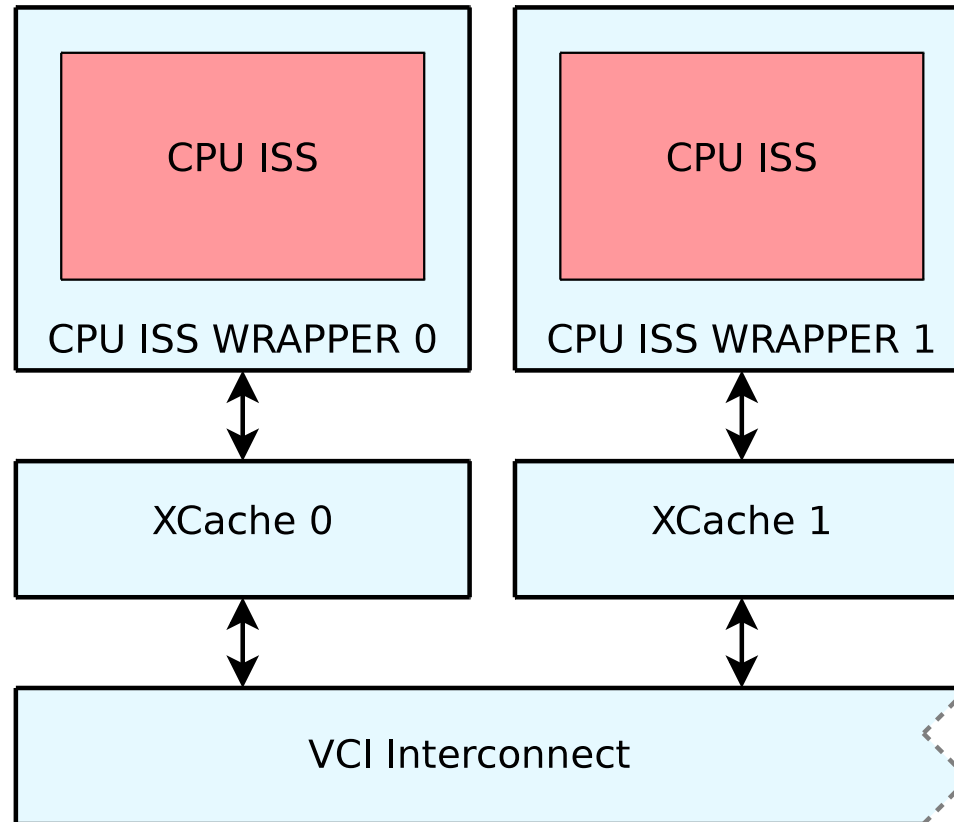
- gdb client can connect to running soclib simulation through remote TCP connection.
- gdb server freezes processors while other platform components are still running.
- gdb server is just a processor ISS wrapper, it doesn't require soclib components modification.
- gdb server is processor architecture independent.
- Multiple processors platforms are fully handled by gdb server using gdb multi-threading feature.

Supported gdb operations

Common gdb operations are supported:

- Freeze on connection, May be frozen on boot
- Step by step, Continue
- Register and memory read/write access, disassemble, stack frame analysis
- Hardware break points, Hardware access watch points
- Optional catch of processor exceptions
- Processor selection

Soclib platform



Platform with gdb Server

